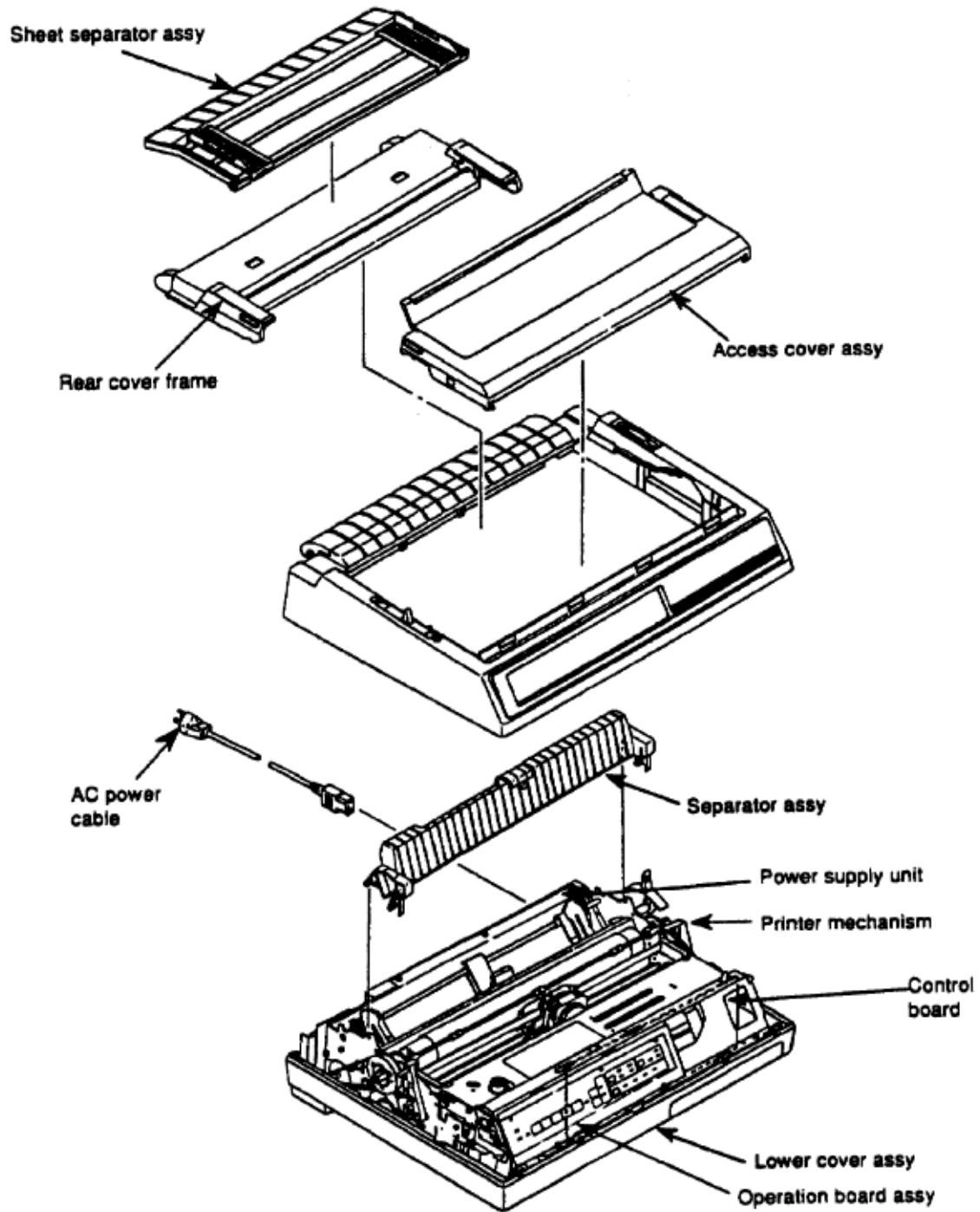


%B.2 Charts

B.2 CHARTS Index to Charts



Below is an index to the illustrated parts breakdown charts.

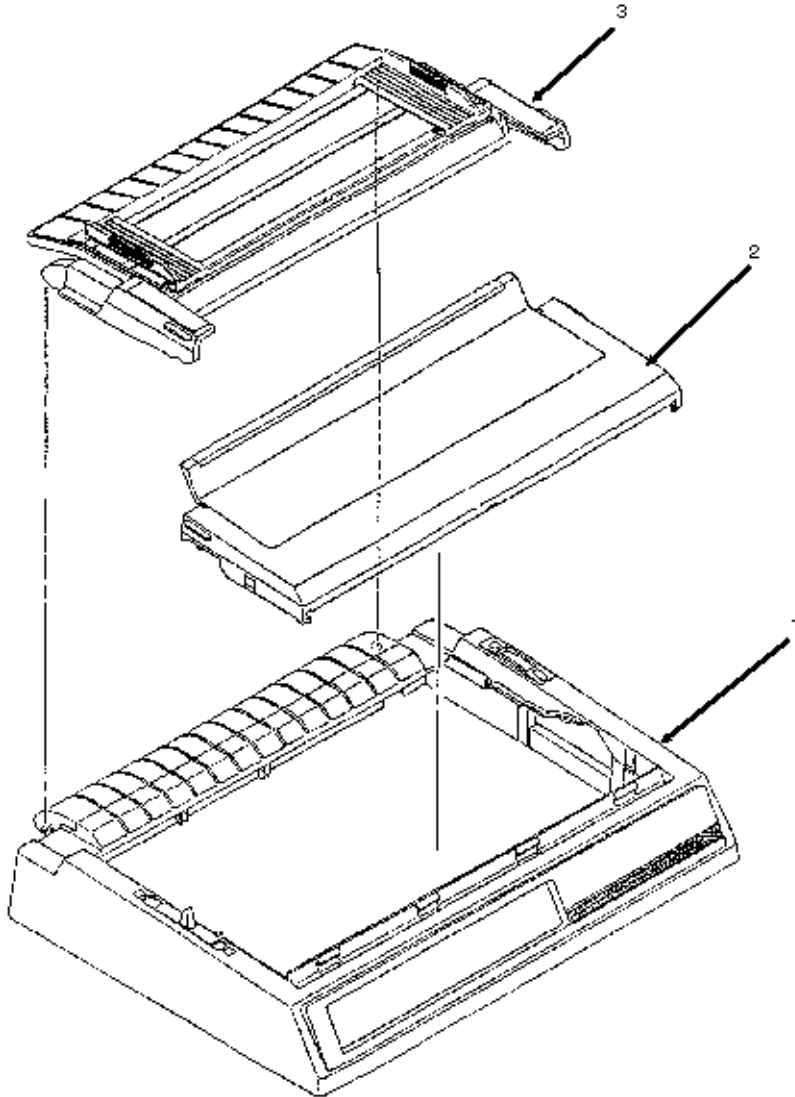
Description	Section
-------------	---------

Upper Cover Assembly	B.2.01
Printer Unit General Assembly	B.2.02
Operator Panel	B.2.03
Carriage Assembly (Black and White)	B.2.04
Carriage Assembly (Color)	B.2.05
Printer Unit - Black and White (1 of 3)	B.2.06
Printer Unit - Black and White (2 of 3)	B.2.07
Printer Unit - Black and White (3 of 3)	B.2.08
Printer Unit - Color (1 of 3)	B.2.09
Printer Unit - Color (2 of 3)	B.2.10
Printer Unit - Color (3 of 3)	B.2.11
Cables and Connectors	B.2.12
Options	B.2.13
Tractor Assembly (Option)	B.2.14
Bottom Push Tractor [BTF](Option)	B.2.15
BTF Pull-Up Roller Assembly (Option)	B.2.16
Consumables	B.2.17
Packing Materials	B.2.18
Documentation	B.2.19

%B.2.01 Upper Cover Assembly

B.2.01 Upper Cover Assembly

Part numbers are subject to change. Refer to Okilink II for current part numbers and pricing information.



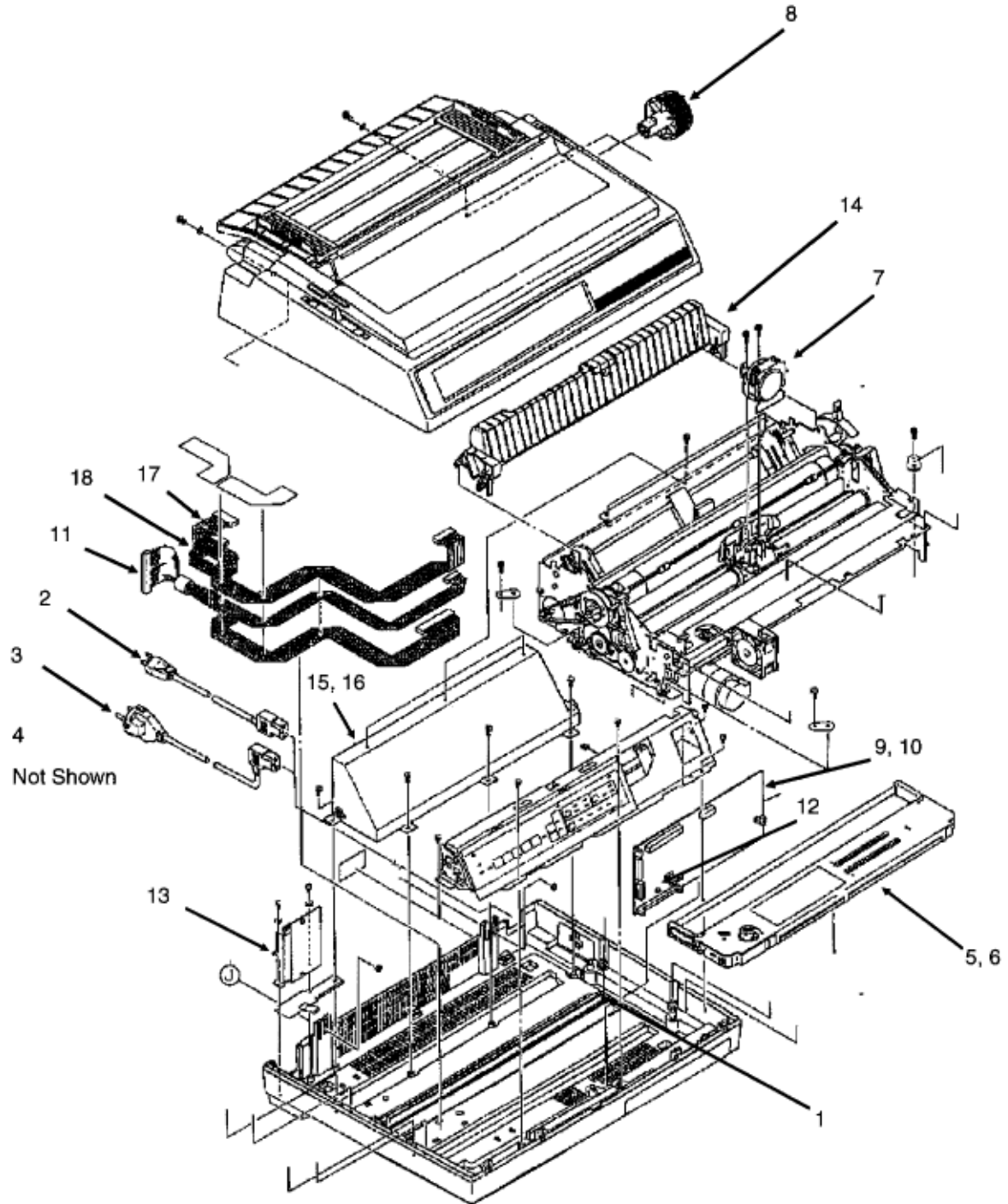
Item	Okidata P/N Oki-J P/N	Description	Comments Refer to B.1.02	Disassembly Procedure
1	50212441 2PA4016-4723G41	Cover: Middle Assembly (ML395)	RSPL	3.2.04
1	50212442 2PA4016-4723G42	Cover: Middle Assembly (ML395 Color)	RSPL	3.2.04
2	50215701 1PA4049-5837G1	Cover: Access (ML395)	RSPL	3.2.04
2	50215703 1PA4049-5837G3	Cover: Access (ML395 Color)	RSPL	3.2.04

3	50215801 1PA4094-5841G1	Cover: Rear (Assembly)	RSPL	3.2.04
---	----------------------------	---------------------------	------	--------

%B.2.02 Printer Unit General Assembly

B.2.02 Printer Unit General Assembly

Part numbers are subject to change. Refer to Okilink II for current part numbers and pricing information.



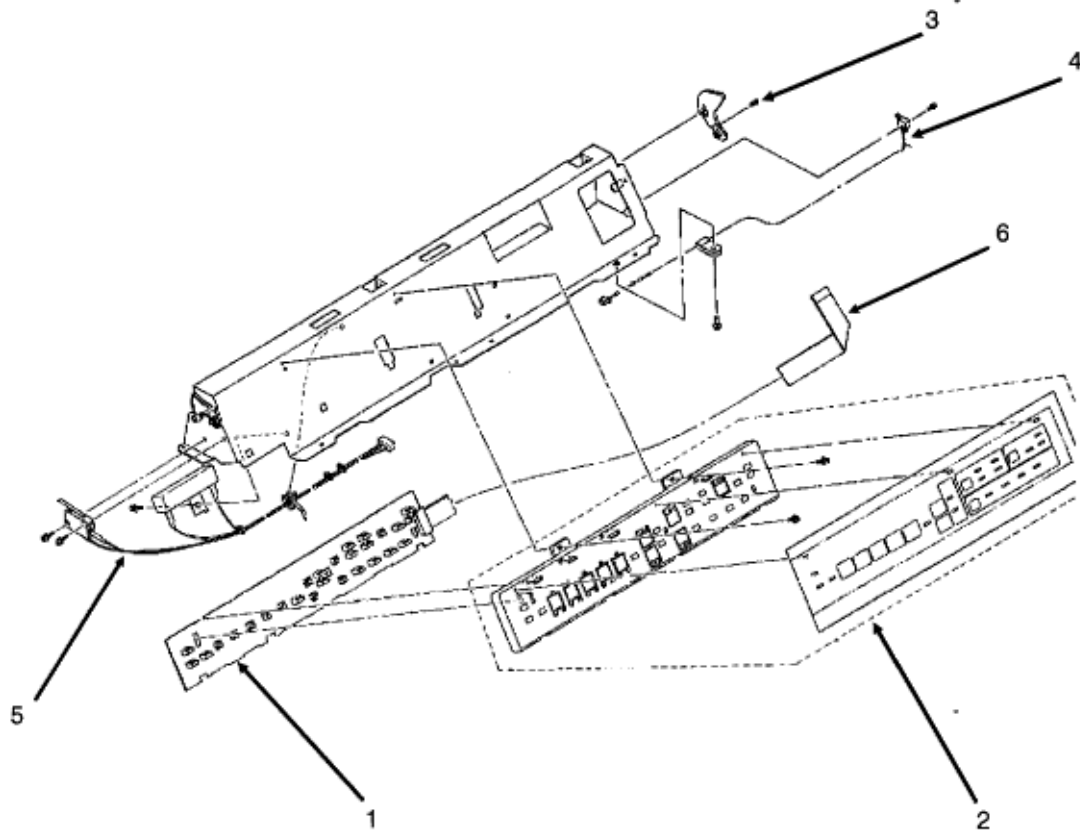
Item	Okidata P/N Oki-J P/N	Description	Comments Refer to B.1.02	Disassembly Procedure
------	--------------------------	-------------	-----------------------------	--------------------------

1	N/A 4PB4043-4331P1	Bottom Guide Plate		N/A
2	56609701 3YS4011-1315P1	Cord: AC 120V	RSPL	3.2.01
3	56624101 3YS4011-1265P1	Cord: AC (220V) ML Series Right Ang	Option RSPL	3.2.01
4	70000803 N/A	IBM PC Cable Kit (Interface Cable)		3.2.01
5	52103601 N/A	Ribbon Cartridge (Black) Nylon	Consumable	3.2.01
5	52103801 N/A	Ribbon Cartridge (Black) Film	Consumable	3.2.01
6	52103701 N/A	Ribbon Cartridge (Color)	Consumable	3.2.01
7	50099905 4YA4023-1451G5	Printhead: Assembly ML395	RSPL	3.2.01
8	53478601 3PP4043-2501P1	Knob: Platen	RSPL	3.2.04
9	55071811 4YA4050-3085G11	PCB: TFCB-1 (w/o ROM) ML395 (Black)	RSPL	3.2.06
10	55071812 4YA4050-3085G12	PCB: TFCB-2 (w/o ROM) ML395C (Color)	RSPL	3.2.06
11	56619201 3YS4011-7912G1	Cord: I/F Main PCB Connection (50P)	RSPL	3.2.06
12	56301703 540A2036M1322	Fuse: 3.15A 125V Main Brd TFCB	RSPL	3.2.06
13	55034501 4YA4042-1293G11	PCB: LQPN - I/F Conn (Assembly)	RSPL	3.2.07
14	50215902 3PA4043-4278G1	Separator: Sheet	RSPL	3.2.09
15	56411201 4YB4049-1709P1	Power Supply Assembly 120V	RSPL	3.2.23
16	56406302 4YB4049-1278P2	Power Supply Assembly (220/240V)	Option RSPL	3.2.23
17	56614101 4YS4011-6295G1	Cord: Power Connection (9 Pin)	RSPL	3.2.23
18	56614801 4YS4011-6253G3	Cord: Power Connection (13 pin)	RSPL	3.2.23

%B.2.03 Operator Panel

B.2.03 Operator Panel

Part numbers are subject to change. Refer to Okilink II for current part numbers and pricing information.

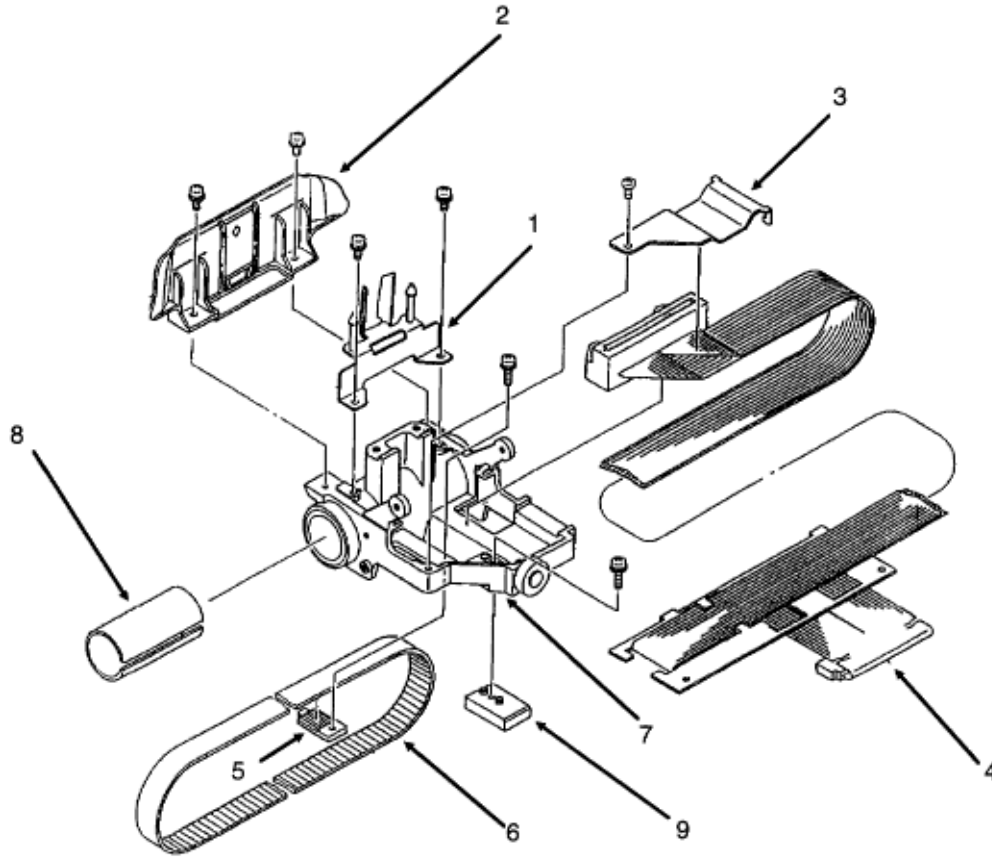


Item	Okidata P/N Oki-J P/N	Description	Comments Refer to B.1.02	Disassembly Procedure
1	55071701 4YA4050-3106G1	PCB: TFOP Op Panel	RSPL	3.2.05
2	50100001 3PP4043-2712G5	Panel: Operator ML395	RSPL	3.2.05
3	50910505 4LB-192200-5	Spring: Cover Open	RSPL	3.2.05
4	56614301 3YX4043-2759G1	Cable: Microswitch (Cover Open)	RSPL	3.2.05
5	56212601 3YX4043-4228G1	Switch: Interlock (Assembly)	RSPL	3.2.05
6	56628403 4LP-5466-37	Cable: OP (ML395)	RSPL	3.2.05

%B.2.04 Carriage Assembly (Black and White)

B.2.04 Carriage Assembly (Black and White)

Part numbers are subject to change. Refer to Okilink II for current part numbers and pricing information.

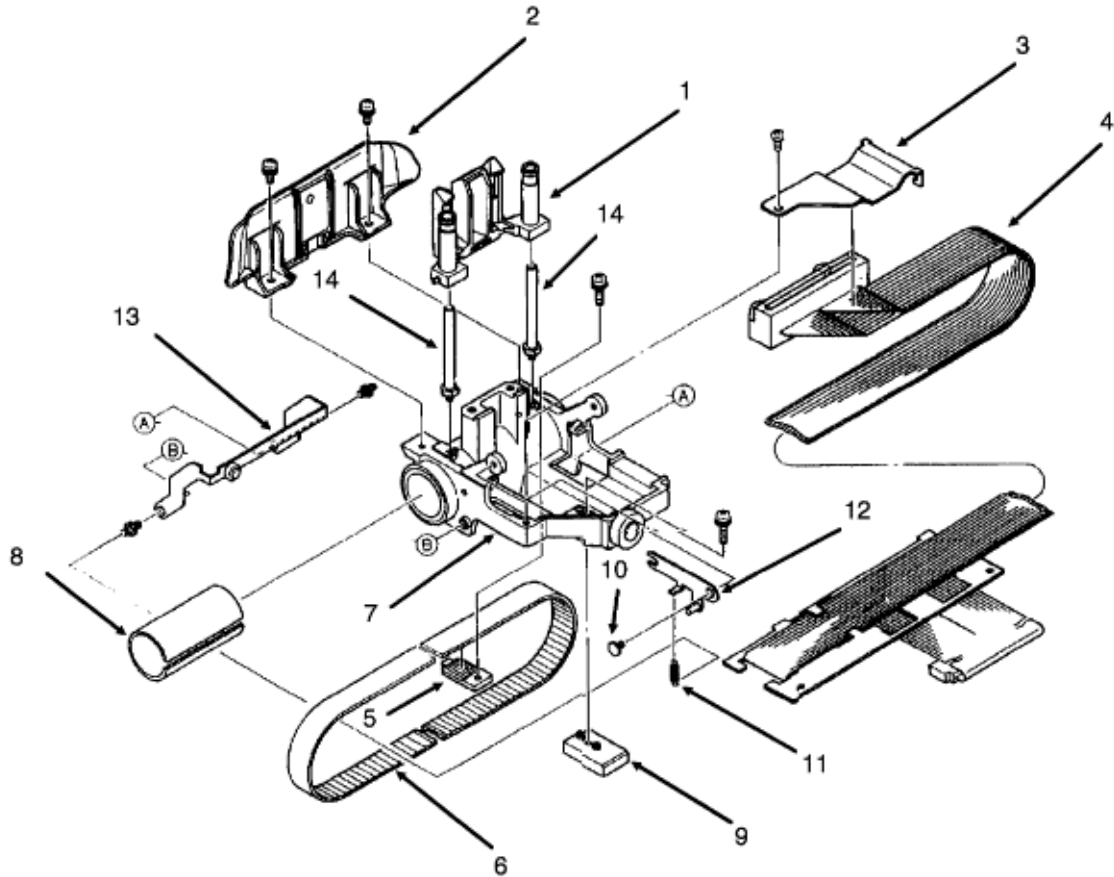


Item	Okidata P/N Oki-J P/N	Description	Comments Refer to B.1.02	Disassembly Procedure
1	53055901 4PP4043-2643G1	Guide: Ribbon (Black)	RSPL	3.2.02
2	53527001 4PP4043-3954G1	Protector: Ribbon	RSPL	3.2.03
3	N/A N/A	Clamp		3.2.11
4	56614201 3YX4043-2713G1	Cable: Printhead (Assembly)	RSPL	3.2.11
5	50702301 N/A	Belt Clamp		3.2.15
6	51303101 4PB4044-1492P3	Belt: Mini Pitch (Space)	RSPL	3.2.15
7	50057601 2YX4043-2610G3	Carriage Assembly (Black)		3.2.19

%B.2.05 Carriage Assembly (Color)

B.2.05 Carriage Assembly (Color)

Part numbers are subject to change. Refer to Okilink II for current part numbers and pricing information.



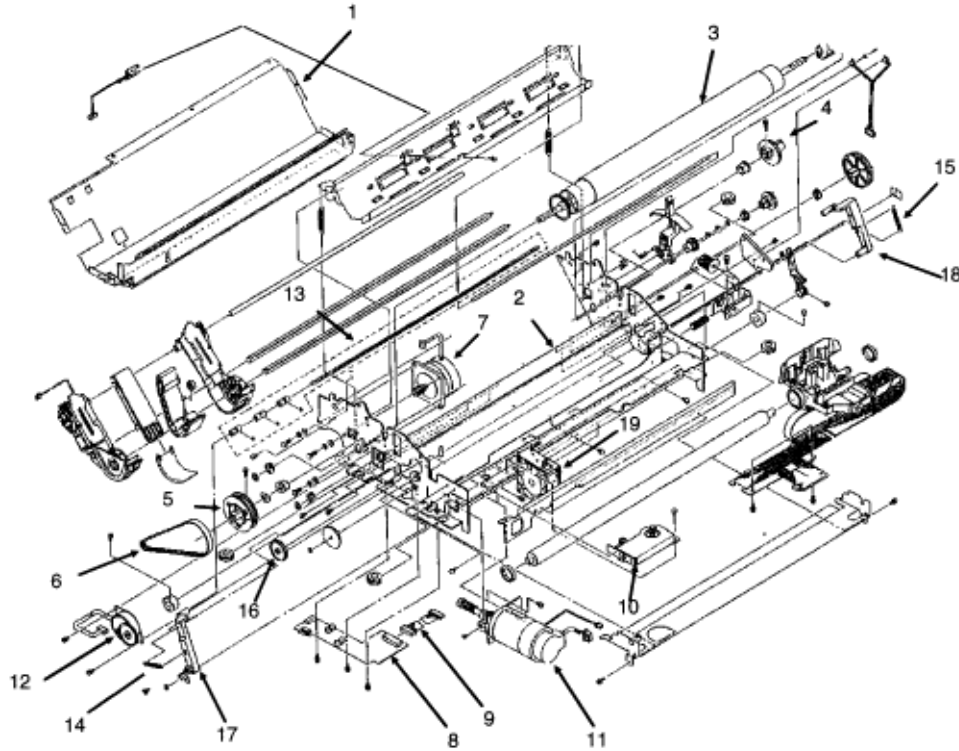
Item	Okidata P/N Oki-J P/N	Description	Comments Refer to B.1.02	Disassembly Procedure
1	53056002 3PP4043-2477P2	Guide: Ribbon (Color)	RSPL	3.2.26
2	53527001 4PP4043-3954G1	Protector: Ribbon	RSPL	3.2.03
3	N/A N/A	Clamp		3.2.11
4	56614201 3YX4043-2713G1	Cable: Printhead (Assembly)	RSPL	3.2.11
5	50702301 N/A	Belt Clamp		3.2.15
6	51303101 4PB4044-1492P3	Belt: Mini Pitch (Space)	RSPL	3.2.15

7	50069401 N/A	Carriage Assembly (Color)		3.2.19
8	N/A N/A	Spacer: Round		3.2.19
9	N/A N/A	Spacer		3.2.19
10	50315401 4PP4043-2745P1	Screw (Color)	RSPL	3.2.24
11	50924001 4PP4043-3803P1	Spring: Shift Arm (Color)	RSPL	3.2.24
12	53478901 4PP4043-2776G1	Arm: Ribbon Shift (Color)	RSPL	3.2.24
13	53479001 4PP4043-2741G1	Lever: Roller (Color)	RSPL	3.2.25
14	50605701 N/A	Ribbon Guide Post (Color)		3.2.26

%B.2.06 Printer Unit - Black and White (1 of 3)

B.2.06 Printer Unit - Black and White (1 of 3)

Part numbers are subject to change. Refer to Okilink II for current part numbers and pricing information.



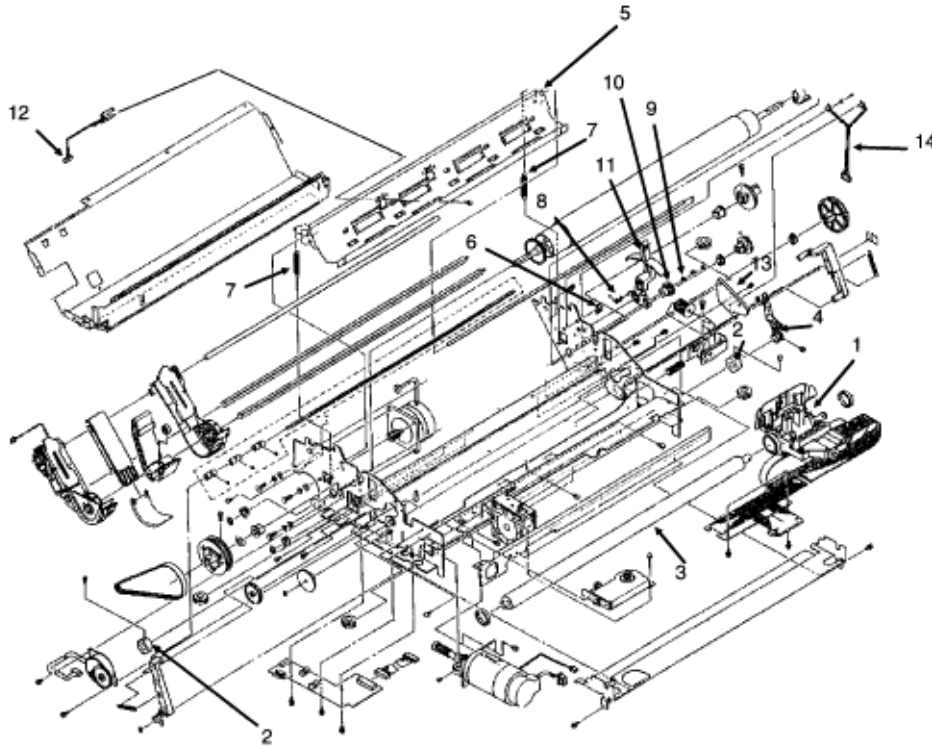
Item	Okidata P/N Oki-J P/N	Description	Comments Refer to B.1.02	Disassembly Procedure
1	N/A 3PB4043-4227P1	Bottom Rear Guide		N/A
2	N/A 3PB4043-4357P1	Bottom Guide		N/A
3	50054101 4PA4043-2556P1	Platen: Assembly	RSPL	3.2.09
4	51214501 3PP4043-2466P1	Gear: Platen "A"	RSPL	3.2.09
5	51215001 4PP4043-2465G1	Pulley: Platen	RSPL	3.2.09
6	51302790 4LP-1313-239	Belt: Mini Pitch (Line Feed)	RSPL	3.2.09
7	56510601 3PB4043-4373P1	Motor: Line Feed (ML395)	RSPL	3.2.10
8	55050501 4YA4042-1462G1	PCB: Sensor (LQEW or LPRW)	RSPL	3.2.12

8	55050502 4YA4042-146262	PCB: Sensor [LQEW-Z]	RSPL	3.2.12
9	56619104 4YS4011-4321P1	Cord: Sensor PCB Connection	RSPL	3.2.12
10	50054301 4PA4043-2584G1	Assembly: Ribbon Feed	RSPL	3.2.13
11	56506205 3YX4043-2550G5	Motor: Space (ML395)	RSPL	3.2.14
12	56506301 3PB4043-2601P1	Motor: Step (Bail Arm) Assembly	RSPL	3.2.17
13	50054401 4PA4043-2711G1	Assembly: Indicator Shaft	RSPL	3.2.18
14	50910701 4PP4043-2628P1	Spring: Bail Arm (Left)	RSPL	3.2.18
15	50910801 4LB-193100-2	Spring: Bail Arm (Right)	RSPL	3.2.18
16	51210201 5LR-193134-1	Gear: Idle (Bail Arm)	RSPL	3.2.18
17	53478501 3PP4043-2509P1	Bail Arm (Left)	RSPL	3.2.18
18	53478502 3PP4043-2510P1	Bail Arm (Right)	RSPL	3.2.18
19	56509501 4YX4043-4219G1	Fan: Cooling	RSPL	3.2.16

%B.2.07 Printer Unit - Black and White (2 of 3)

B.2.07 Printer Unit - Black and White (2 of 3)

Part numbers are subject to change. Refer to Okilink II for current part numbers and pricing information.



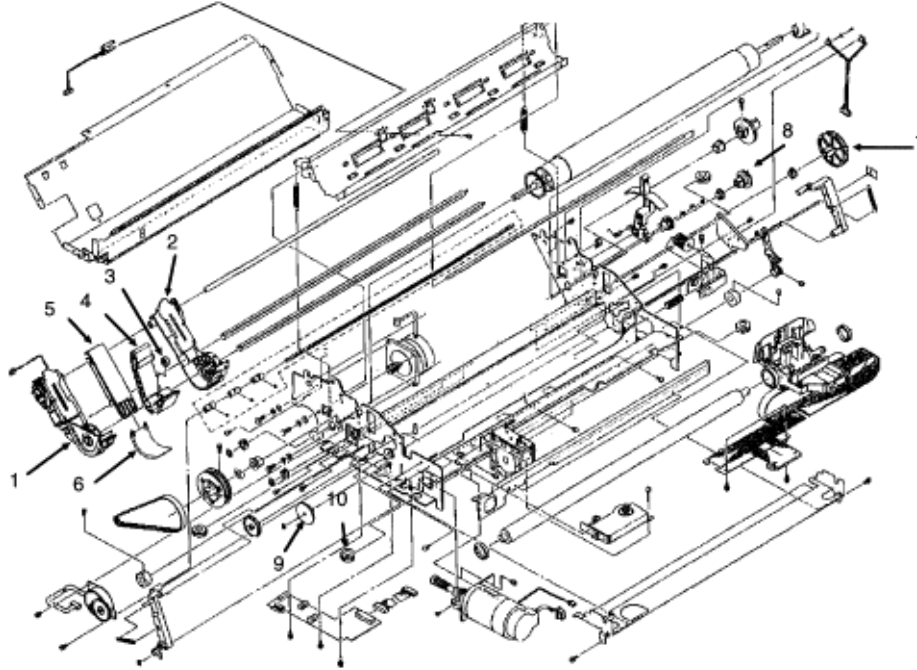
Item	Okidata P/N Oki-J P/N	Description	Comments Refer to B.1.02	Disassembly Procedure
1	50057601 2YX4043-2610G3	Carriage Assembly (Black)		3.2.19
2	50703701 4PP4043-2507P1	Collar: Eccentric Carriage Rail	RSPL	3.2.19
3	51110301 4PB4043-2565P1	Shaft: Carriage	RSPL	3.2.19
4	53478401 3PP4043-2504P1	Lever: Adjust (Printhead Gap)	RSPL	3.2.19
5	N/A 4PB4043-2579P1	Cut Sheet Guide		3.2.20
6	53478801 4PP4043-2460P1	Block: Release Lever Guide	RSPL	3.2.20
7	50907502 4LB-193400-1	Spring: (Paper Chute)	RSPL	3.2.20
8	50910201 4PB4043-2754P1	Spring: Detent (Release Lever)	RSPL	3.2.20
9	50910305 4LB-190600-6	Spring: Idle Gear	RSPL	3.2.20

10	51214401 4PP4043-2458P1	Gear: Idle (Release Lever)	RSPL	3.2.20
11	53478706 3PP4043-2459P6	Lever: Release	RSPL	3.2.20
12	55034801 4YX4043-2576G1	Sensor: Cut-Sheet Paper-End	RSPL	3.2.20
13	53068602 3PP4043-2505P2	Indicator: PH Gap (Adj Bracket)	RSPL	3.2.21
14	56209901 4YX4043-2784G1	Switch: Micro (Adj & Release Lever)	RSPL	3.2.21

%B.2.08 Printer Unit - Black and White (3 of 3)

B.2.08 Printer Unit - Black and White (3 of 3)

Part numbers are subject to change. Refer to Okilink II for current part numbers and pricing information.

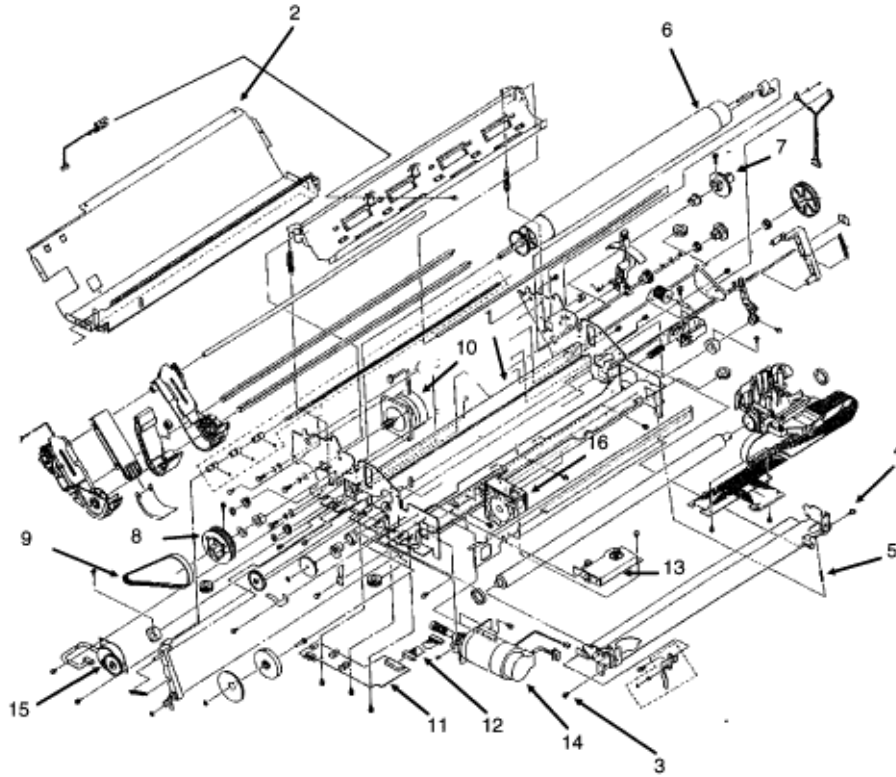


Item	Okidata P/N Oki-J P/N	Description	Comments Refer to B.1.02	Disassembly Procedure
1	50054501 3YX4043-2561G1	Tractor: Push (Left) Assembly	RSPL	3.2.22
2	50054601 3PA4043-2562G1	Tractor: Push (Right) Assembly	RSPL	3.2.22
3	51002301 4PP4043-2451P1	Friction: Piece	RSPL	3.2.22
4	51002401 3PP4043-2451P1	Guide: Center - Upper	RSPL	3.2.22
5	51002501 3PP4043-2453P1	Guide: Center Lower A	RSPL	3.2.22
6	51002601 3PP4043-2454P1	Guide: Center Lower B	RSPL	3.2.22
7	51214201 4PP4043-2456P1	Gear: Drive A	RSPL	3.2.22
8	51214301 4PP4043-2457P1	Gear: Drive B	RSPL	3.2.22
9	51214701 3PP4043-2764P1	Cam: Bail Open (Black)	RSPL	3.2.27

%B.2.09 Printer Unit - Color (1 of 3)

B.2.09 Printer Unit - Color (1 of 3)

Part numbers are subject to change. Refer to Okilink II for current part numbers and pricing information.



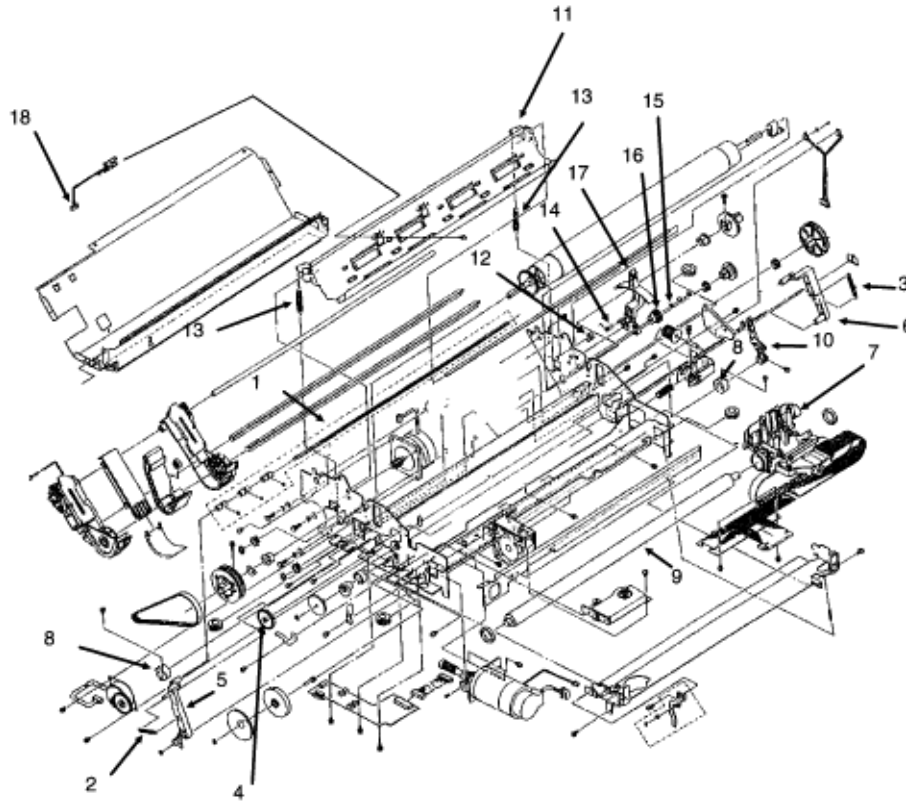
Item	Okidata P/N Oki-J P/N	Description	Comments Refer to B.1.02	Disassembly Procedure
1	N/A 3PB4043-4227P1	Bottom Rear Guide		N/A
2	N/A 3PB4043-4357P1	Bottom Guide		N/A
3	50312103 4LB-130100-3A	Screw: Shoulder (Left) Color	RSPL	N/A
4	50312106 4LB-130100-6A	Screw: Shoulder (Right) Color	RSPL	N/A
5	50910601 4PP4043-2642P1	Spring: Cartridge Balance (Color)	RSPL	N/A
6	50054101 4PA4043-2556P1	Platen: Assembly	RSPL	3.2.09
7	51214501 3PP4043-2466P1	Gear: Platen "A"	RSPL	3.2.09
8	51215001 4PP4043-2465G1	Pulley: Platen	RSPL	3.2.09

9	51302790 4LP-1313-239	Belt: Mini Pitch (Line Feed)	RSPL	3.2.09
10	56510601 3PB4043-4373P1	Motor: Line Feed (ML395)	RSPL	3.2.10
11	55050501 4YA4042-1462G1	PCB: Sensor (LQEW or LPRW)	RSPL	3.2.12
11	55050502 4YA4042-146262	PCB: Sensor [LQEW-Z]	RSPL	3.2.12
12	56619104 4YS4011-4321P1	Cord: Sensor PCB Connection	RSPL	3.2.12
13	50054301 4PA4043-2584G1	Assembly: Ribbon Feed	RSPL	3.2.13
14	56506205 3YX4043-2550G5	Motor: Space (ML395)	RSPL	3.2.14
15	56506301 3PB4043-2601P1	Motor: Step (Bail Arm) Assembly	RSPL	3.2.17
16	56509501 4YX4043-4219G1	Fan: Cooling	RSPL	3.2.16

%B.2.10 Printer Unit - Color (2 of 3)

B.2.10 Printer Unit - Color (2 of 3)

Part numbers are subject to change. Refer to Okilink II for current part numbers and pricing information.



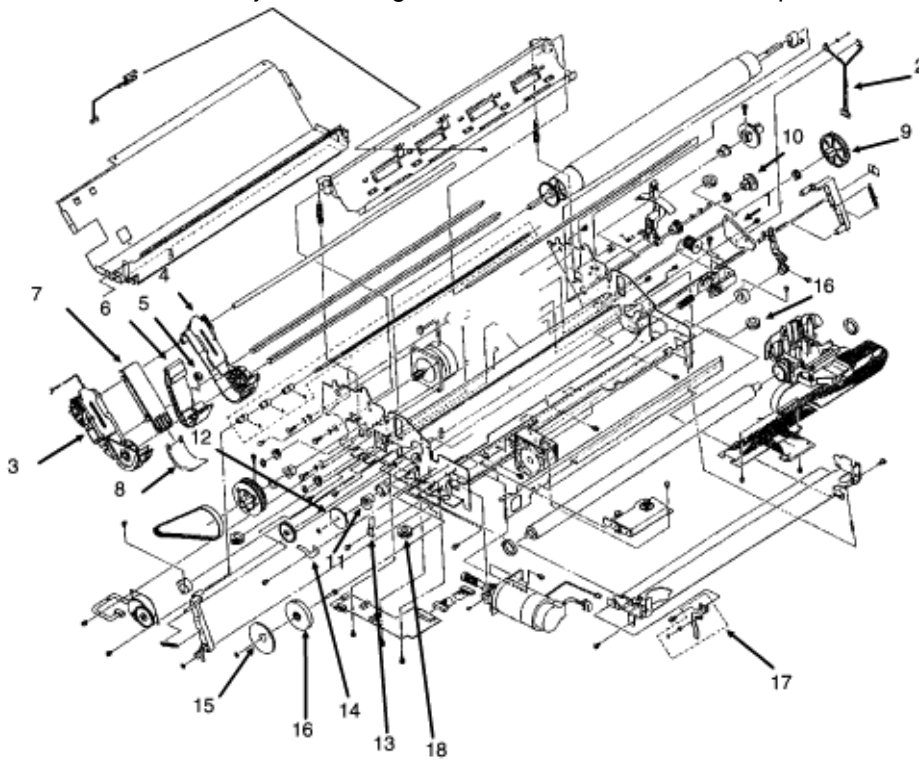
Item	Okidata P/N Oki-J P/N	Description	Comments Refer to B.1.02	Disassembly Procedure
1	50054401 4PA4043-2711G1	Assembly: Indicator Shaft	RSPL	3.2.18
2	50910701 4PP4043-2628P1	Spring: Bail Arm (Left)	RSPL	3.2.18
3	50910801 4LB-193100-2	Spring: Bail Arm (Right)	RSPL	3.2.18
4	51210201 5LR-193134-1	Gear: Idle (Bail Arm)	RSPL	3.2.18
5	53478501 3PP4043-2509P1	Bail Arm (Left)	RSPL	3.2.18
6	53478502 3PP4043-2510P1	Bail Arm (Right)	RSPL	3.2.18
7	50069401 N/A	Carriage Assembly (Color)		3.2.19
8	50703701 4PP4043-2507P1	Collar: Eccentric Carriage Rail	RSPL	3.2.19

9	51110301 4PB4043-2565P1	Shaft: Carriage	RSPL	3.2.19
10	53478401 3PP4043-2504P1	Lever: Adjust (Printhead Gap)	RSPL	3.2.19
11	N/A 4PB4043-2579P1	Cut Sheet Guide MM		3.2.20
12	53478801 4PP4043-2460P1	Block: Release Lever Guide	RSPL	3.2.20
13	50907502 4LB-193400-1	Spring: (Paper Chute)	RSPL	3.2.20
14	50910201 4PB4043-2754P1	Spring: Detent (Release Lever)	RSPL	3.2.20
15	50910305 4LB-190600-6	Spring: Idle Gear	RSPL	3.2.20
16	51214401 4PP4043-2458P1	Gear: Idle (Release Lever)	RSPL	3.2.20
17	53478706 3PP4043-2459P6	Lever: Release	RSPL	3.2.20
18	55034801 4YX4043-2576G1	Sensor: Cut-Sheet Paper-End	RSPL	3.2.20

%B.2.11 Printer Unit - Color (3 of 3)

B.2.11 Printer Unit - Color (3 of 3)

Part numbers are subject to change. Refer to Okilink II for current part numbers and pricing information.



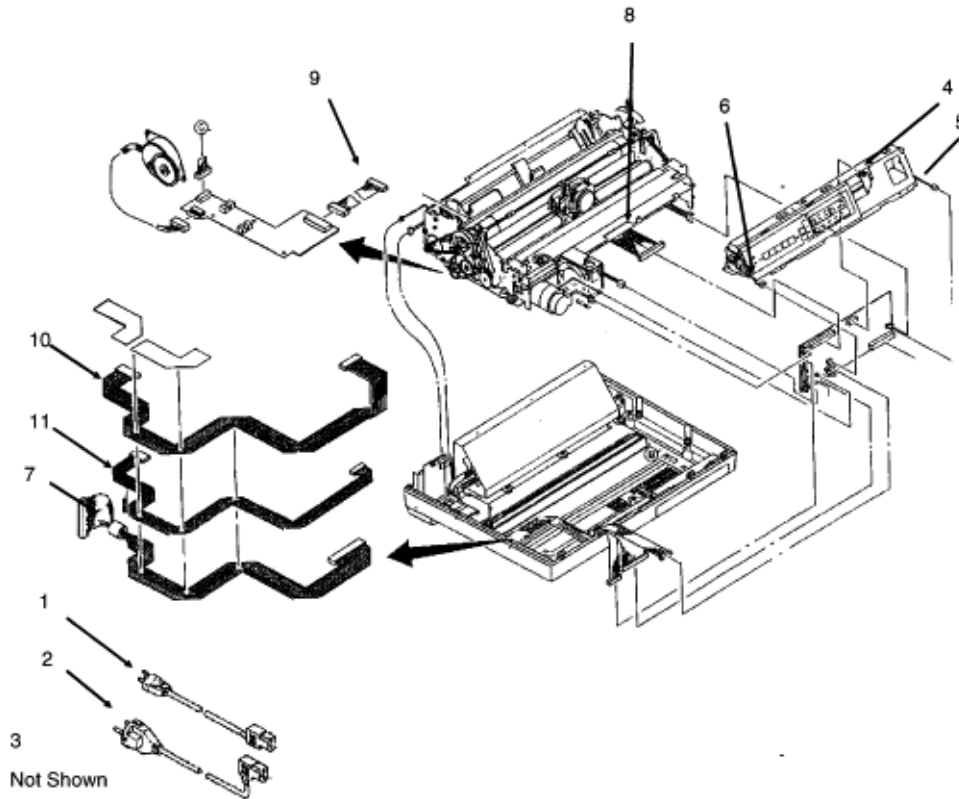
Item	Okidata P/N Oki-J P/N	Description	Comments Refer to B.1.02	Disassembly Procedure
1	53068602 3PP4043-2505P2	Indicator: PH Gap (Adj Bracket)	RSPL	3.2.21
2	56209901 4YX4043-2784G1	Switch: Micro (Adj & Release Lever)	RSPL	3.2.21
3	50054501 3YX4043-2561G1	Tractor: Push (Left) Assembly	RSPL	3.2.22
4	50054601 3PA4043-2562G1	Tractor: Push (Right) Assembly	RSPL	3.2.22
5	51002301 4PP4043-2451P1	Friction: Piece	RSPL	3.2.22
6	51002401 3PP4043-2451P1	Guide: Center - Upper	RSPL	3.2.22
7	51002501 3PP4043-2453P1	Guide: Center Lower A	RSPL	3.2.22
8	51002601 3PP4043-2454P1	Guide: Center Lower B	RSPL	3.2.22

9	51214201 4PP4043-2456P1	Gear: Drive A	RSPL	3.2.22
10	51214301 4PP4043-2457P1	Gear: Drive B	RSPL	3.2.22
11	51222601 3PP4043-3321P1	Cam: Bail Open (Color)	RSPL	3.2.27
12	51214601 4PP4043-2499P1	Gear: Bail Open (Color)	RSPL	3.2.27
13	50911001 N/A	Brake Spring - B (Color)		3.2.27
14	50910901 N/A	Brake Spring - A		3.2.28
15	51215101 4PP4043-2729P1	Gear: Ribbon Shift (Color)	RSPL	3.2.28
16	51222501 2PP4043-3325P1	Cam: Ribbon Shift (Color)	RSPL	3.2.28
17	50054701 4PA4043-2710G1	Lever: Shift Cam (Color)	RSPL	3.2.29
18	50512923 N/A	Rubber Grommet (in base)		N/A

%B.2.12 Cables and Connectors

B.2.12 Cables and Connectors

Part numbers are subject to change. Refer to Okilink II for current part numbers and pricing information.



Item	Okidata P/N Oki-J P/N	Description	Comments Refer to B.1.02	Disassembly Procedure
1	56609701 3YS4011-1315P1	Cord: AC 120V	RSPL	3.2.01
2	56624101 3YS4011-1265P1	Cord: AC (220V) ML Series Right Ang	Option RSPL	3.2.01
3	70000803 N/A	IBM PC Cable Kit (Interface Cable)		3.2.01
4	56614608 N/A	Operator Panel Cable		3.2.05
4	56628403 4LP-5466-37	Cable: OP (ML395)	RSPL	3.2.05
5	56614301 3YX4043-2759G1	Cable: Microswitch (Cover Open)	RSPL	3.2.05
6	56212601 3YX4043-4228G1	Switch: Interlock (Assembly)	RSPL	3.2.05

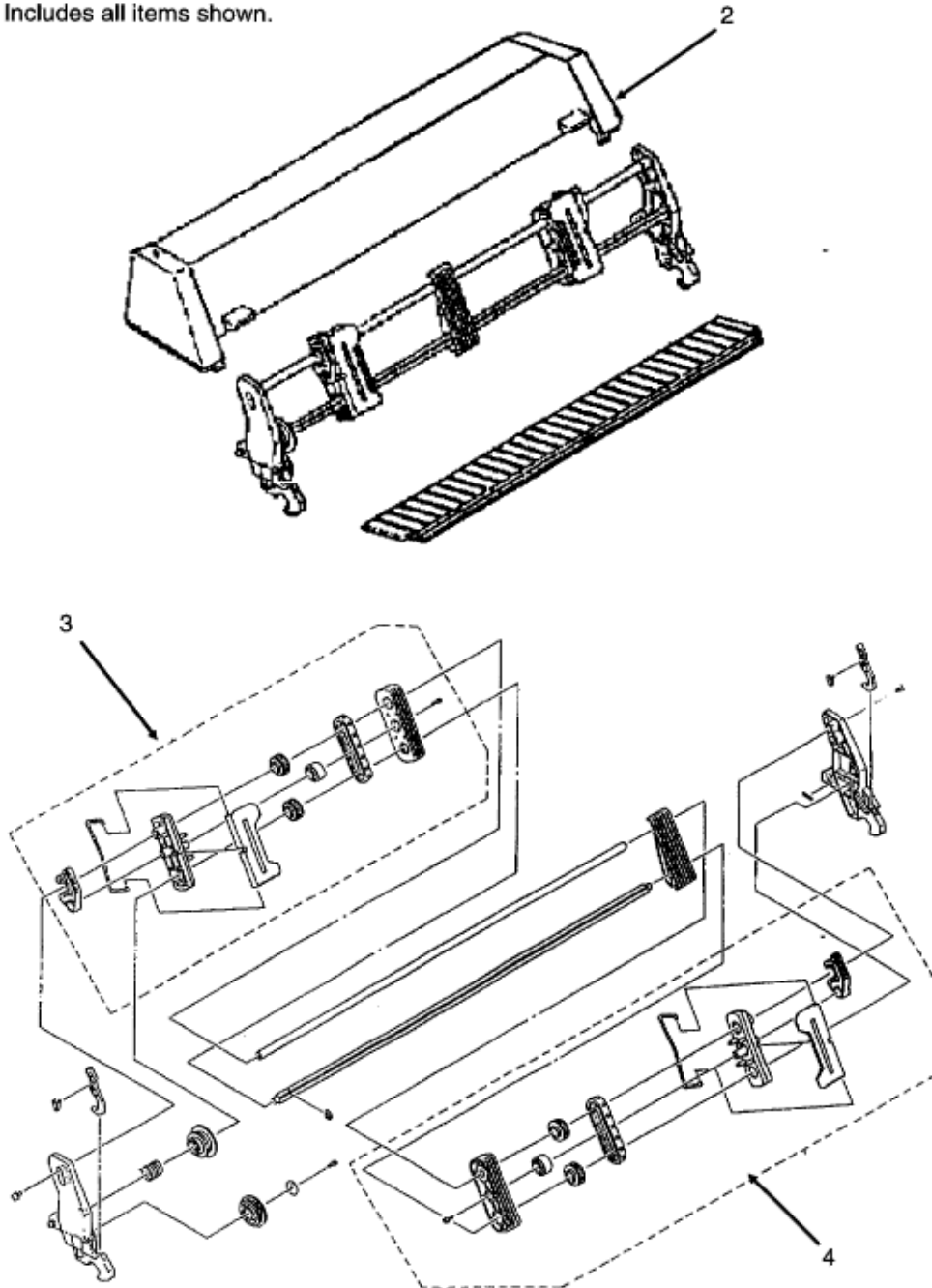
7	56619201 3YS4011-7912G1	Cord: I/F Main PCB Connection (50P)	RSPL	3.2.06
8	56614201 3YX4043-2713G1	Cable: Printhead (Assembly)	RSPL	3.2.11
9	56619104 4YS4011-4321P1	Cord: Sensor PCB Connection	RSPL	3.2.12
10	56614101 4YS4011-6295G1	Cord: Power Connection (9 Pin)	RSPL	3.2.23
11	56614801 4YS4011-6253G3	Cord: Power Connection (13 pin)	RSPL	3.2.23

%B.2.14 Pull Tractor Assembly (Option)

B.2.14 Pull Tractor Assembly (Option)

Part numbers are subject to change. Refer to Okilink II for current part numbers and pricing information.

1 - Includes all items shown.



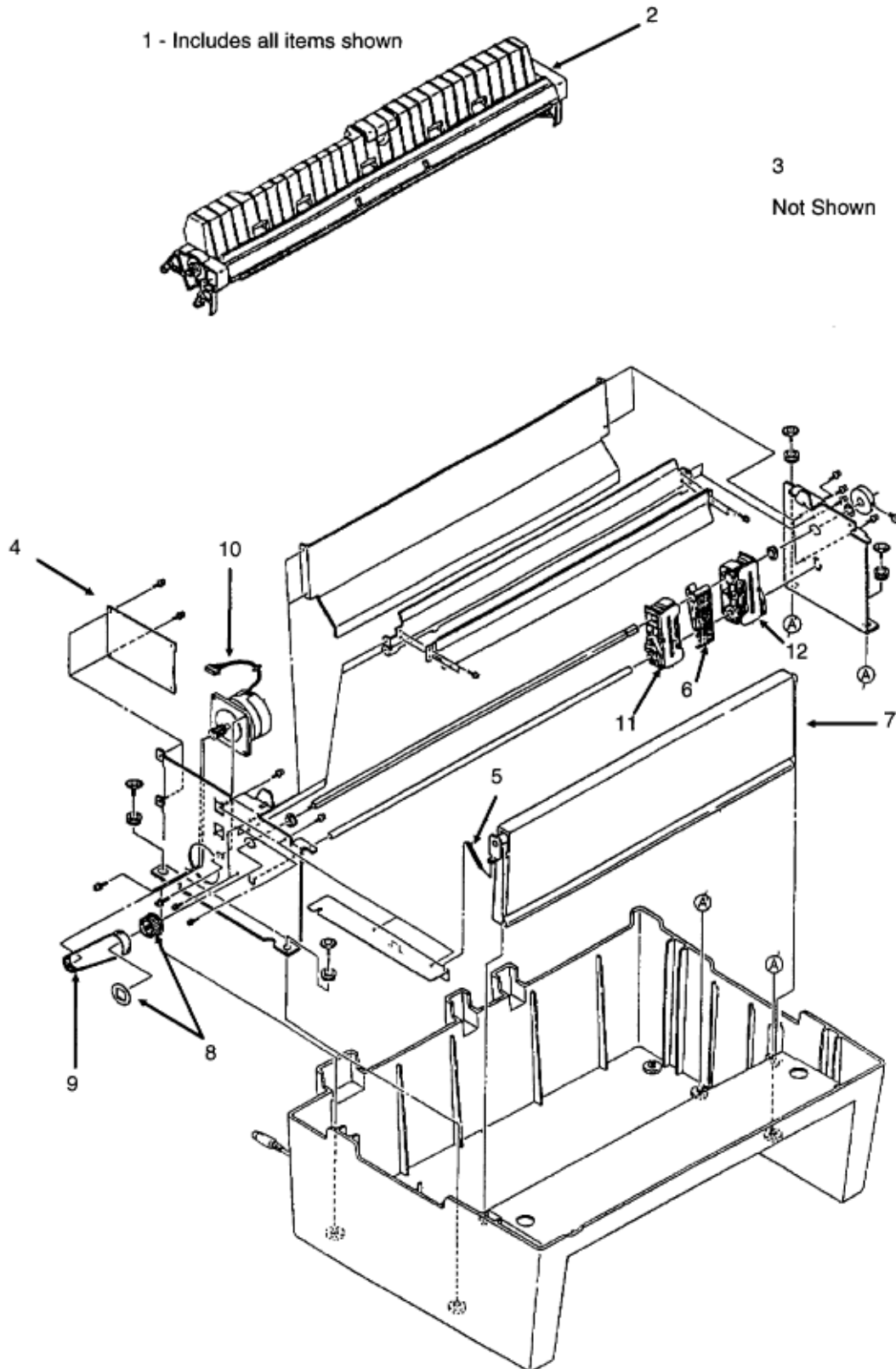
Item	Okidata P/N Oki-J P/N	Description	Comments Refer to B.1.02	Disassembly Procedure
1	56406302 4YB4049-1278P2	Power Supply Assembly (220/240V)	Option RSPL	3.2.23

2	56624101 3YS4011-1265P1	Cord: AC (220V) ML Series Right Ang	Option RSPL	3.2.01
3	70021601 N/A	Bottom Tractor Feed Unit (Push)	Option	3.2.30
4	70011701 N/A	Pull Tractor Assembly (Top Mount)	Option	N/A
5	70010601 N/A	Cut-Sheet Feeder Single Bin CSF 30001	Option	N/A
6	70010701 N/A	Cut-Sheet Feeder Dual Bin CSF 30002	Option	N/A

%B.2.15 Bottom Tractor Feed Unit (Push) [BTF] (Option)

B.2.15 Bottom Tractor Feed Unit (Push) [BTF] (Option)

Part numbers are subject to change. Refer to Okilink II for current part numbers and pricing information.



Item	Okidata P/N Oki-J P/N	Description	Comments Refer to B.1.02	Disassembly Procedure
1	70021601 N/A	Bottom Tractor Feed Unit (Push)	Option	3.2.30
2	50215901 4YA4043-4280G1	Pull-Up Roller Assembly	Option RSPL	N/A
3	50212604 2PA4016-4722G4	Cover: Acoustic (Pull Tractor) BTF	Option RSPL	N/A
4	55066102 4YA4042-1513G2	PCB: BTFD-2 (BTF)	Option RSPL	3.2.31
5	50922001 4PP4043-4300P1	Spring: (BTF)	Option RSPL	3.2.32
6	51002201 4PP4025-2653P1	Guide: Sheet (BTF)	Option RSPL	3.2.33
7	53063701 3PA4094-6159G1	Door: Front (Assembly) (BTF)	Option RSPL	3.2.34
8	51228801 3PP4053-2693P1	Pulley: Drive (BTF) (ML395)	Option RSPL	3.2.35
9	54111291 4LP-1313-191	Belt: Mini Pitch (125 teeth)	Option RSPL	3.2.35
10	56509401 3PB4043-4249P1	Motor: Line Feed (BTF)	Option RSPL	3.2.36
11	50057402 4PA4043-2684G2	Tractor: Pin (Left) BTF	Option RSPL	3.2.37
12	50057502 4PA4043-2685G2	Tractor: Pin (Right) BTF	Option RSPL	3.2.37

NOTE:

The Pull-Up Roller Assembly is part of the Bottom Push Tractor Unit.

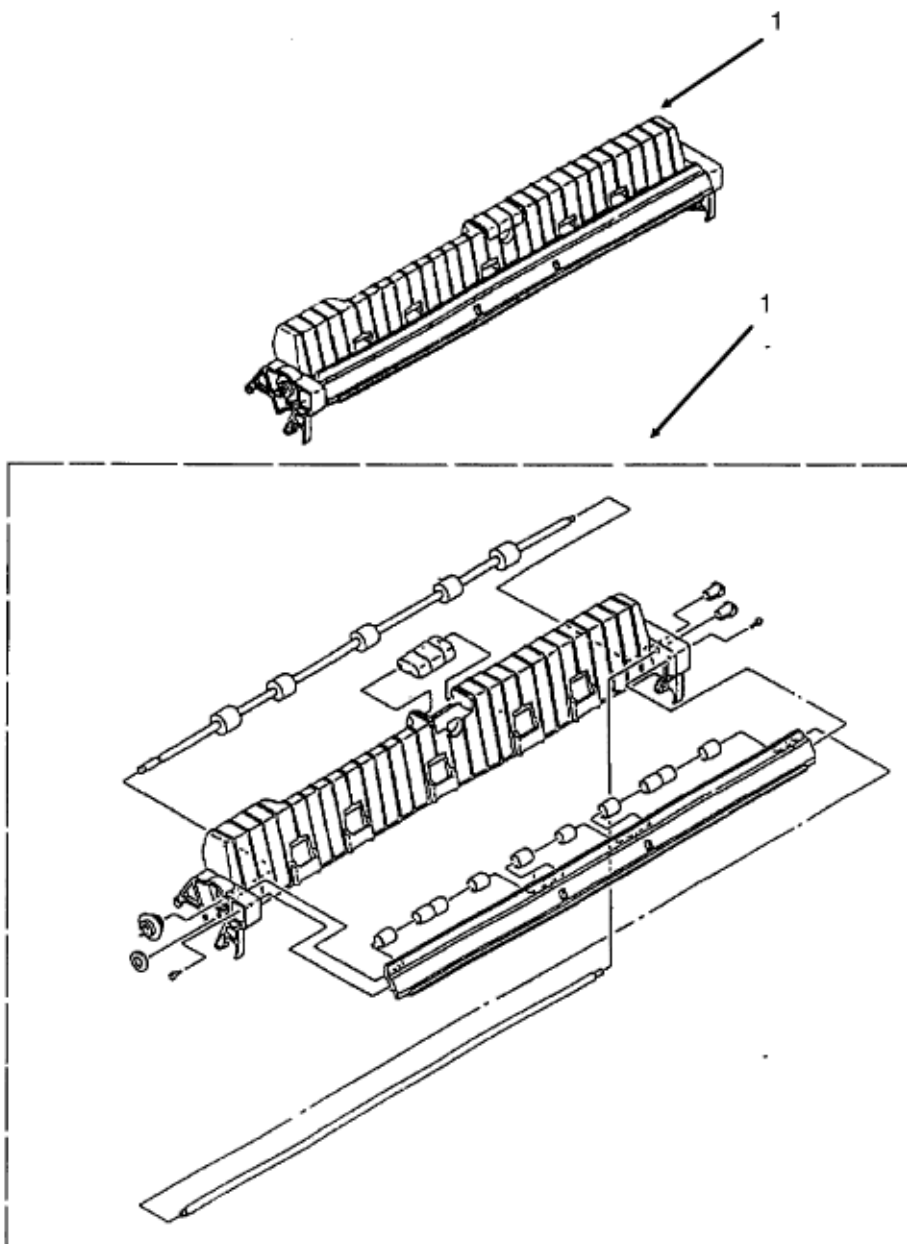
%B.2.16 BTF Pull-Up Roller Assembly (Option)

B.2.16 BTF Pull-Up Roller Assembly (Option)

Part numbers are subject to change. Refer to Okilink II for current part numbers and pricing information.

2

Not Shown



Item	Okidata P/N Oki-J P/N	Description	Comments Refer to B.1.02	Disassembly Procedure
1	50215901 4YA4043-4280G1	Pull-Up Roller Assembly	Option RSPL	N/A
2	50212604 2PA4016-4722G4	Cover: Acoustic (Pull Tractor) BTF	Option RSPL	N/A

NOTE:

The Pull-Up Roller Assembly is part of the Bottom Push Tractor Unit.
